

# EBF Series



UL Recognized  
CSA Certified  
VDE Approved



## EBF Series

The EBF accessory outlet filters provides an innovative means of connecting accessories while filtering noise between a system and the accessories attached. These filters provide enhanced performance utilizing common mode inductance and differential mode capacitance for attenuation of noise across the frequency range.

The filtered connector offers the additional advantage of a grounded connection and features low leakage current required for international usage.

## Specifications

### Maximum leakage current, each line-to-ground

|                  |        |
|------------------|--------|
| @ 120 VAC 60 Hz: | .25 mA |
| @ 250 VAC 50 Hz: | .50 mA |

### Hipot rating (one minute):

|                |          |
|----------------|----------|
| line-to-ground | 1500 VAC |
| line-to-line   | 1450 VDC |

### Operating frequency:

50/60 Hz

### Rated voltage (max.):

250 VAC

### Minimum insertion loss in dB:

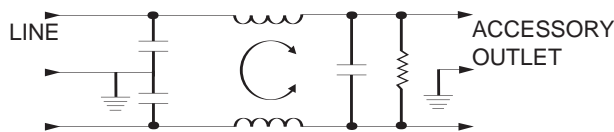
Line-to-ground in 50 ohm circuit

| Current Rating | Frequency-MHz |     |    |    |    |    |    |
|----------------|---------------|-----|----|----|----|----|----|
|                | .05           | .15 | .5 | 1  | 5  | 10 | 30 |
| 1A             | 23            | 32  | 41 | 47 | 47 | 47 | 40 |
| 3A             | 10            | 19  | 30 | 36 | 48 | 50 | 47 |
| 6A             | 1             | 10  | 22 | 28 | 42 | 48 | 47 |
| 10A            | 1             | 5   | 14 | 20 | 32 | 38 | 47 |

Line-to-line in 50 ohm circuit

| Current Rating | Frequency-MHz |    |    |    |    |    |    |
|----------------|---------------|----|----|----|----|----|----|
|                | .15           | .5 | 1  | 3  | 5  | 10 | 30 |
| 1A             | 3             | 14 | 23 | 41 | 47 | 50 | 44 |
| 3A             | 2             | 11 | 14 | 25 | 38 | 44 | 40 |
| 6A             | 2             | 10 | 14 | 20 | 33 | 42 | 40 |
| 10A            | 2             | 10 | 16 | 19 | 19 | 39 | 40 |

## Electrical Schematic

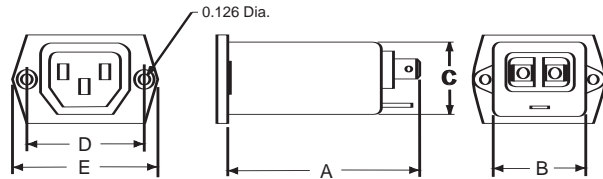


Resistor location for reference only.

# EBF Series

## Case Styles

### EBF1

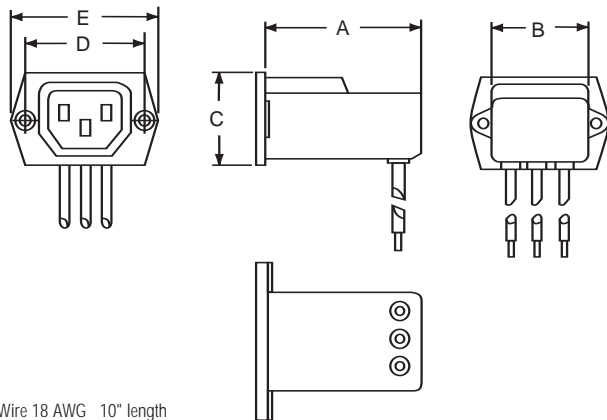


Typical dimensions:

Terminals: .250 [6.35] (3)  
Slot: .07 x .16 [1.8 x 4.1]

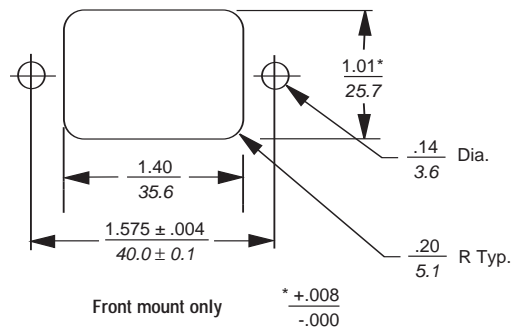
Holes: .07 [1.8] Dia. (2)  
Mounting Holes: .132 [3.35] Dia. (2) with .250 Dia. x 90° countersunk for #4 Flathead Screw

### EBF4



Wire 18 AWG 10" length

## Recommended Panel Cutout



## Case Dimensions

| Part No. | A<br>(max)           | B<br>(max)           | C<br>(max)           | D<br>$\pm .010$<br>$\pm .25$ | E<br>(max)          |
|----------|----------------------|----------------------|----------------------|------------------------------|---------------------|
| EBF1     | <b>2.57</b><br>65.3  | <b>1.33</b><br>33.8  | <b>1.10</b><br>25.4  | <b>1.575</b><br>40.01        | <b>1.99</b><br>50.5 |
| EBF4     | <b>2.09</b><br>53.01 | <b>1.39</b><br>35.31 | <b>1.16</b><br>29.46 | <b>1.575</b><br>40.01        | <b>1.99</b><br>50.5 |

## Part Numbers

|        |        |
|--------|--------|
| 1EBF1  | 1EBF4  |
| 3EBF1  | 3EBF4  |
| 6EBF1  | 6EBF4  |
| 10EBF1 | 10EBF4 |